

# Parts catalogue

## FLAIL MOWER

(EXPORT MODEL)

**HR661**

**HR661A**

**HR801A**

MODEL	CODE
HR661	80-1614-ΔΔΔ-00
HR661A	0211-ΔΔΔΔΔ
HR801A	0204-ΔΔΔΔΔ

### CONTENTS

Fig.1	HANDLE(OLD TYPE)-----	1
Fig.1	HANDLE(NEW TYPE)-----	5
Fig.2	TRANSMISSION-----	9
Fig.3	FRAME-----	13
Fig.4	ROTARY COVER-----	17

**OREC CO.,LTD.**

*Update : December 2005*



FIG. 1 HANDLE (OLD TYPE)

Ref.	Parts No.	Parts Name	Quantity								Remarks										
			OLD	OLD	OLD	OLD	NEW	NEW	NEW	NEW											
			HR	HR	HR	HR	HR	HR	HR	HR											
			661A	661A	801A	801A	661A	661A	801A	801A											
				EY28	FE250	GM301	FE290														
1	80-1614-221-00	Handle CMP	1	1	1	1														*4)	
2	80-1614-251-00	Knife Tension Lever	1	1	1	1															*4)
3	89-2521-000100	E-type Ring 10	2	2	2	2	1	1	1	1											
4	83-1210-425-00	Lever Grip 10	2	2	2	2															*4)
5	83-1614-932-00	Tension Wire	2	2	2	2	2	2	2	2	2	2	2	2	2	2	2	2	2	2	
6	89-2521-000050	E-type Ring 5	3	3	3	3	3	3	3	3	3	3	3	3	3	3	3	3	3	3	
7	80-1614-915-00	Label, Blade	1	1	1	1															*4)
8	80-1614-241-00	Driving Tension Lever	1	1	1	1															*4)
9	83-1614-938-00	Brake Wire	1	1	1	1															*4)
10	80-1614-248-00	Brake Spring	1	1	1	1															*4)
11	80-1614-914-00	Label, Driving	1	1	1	1															*4)
12	83-1210-457-00	Lever 3101	2	2	2	2															*4)
	<b>83-1210-457-10</b>	<b>Lever 27-05-0822M</b>	<b>2</b>	<b>2</b>	<b>2</b>	<b>2</b>															<b>*1)</b>
13	83-1614-962-00	Side Clutch Wire	2	2	2	2	2	2	2	2	2	2	2	2	2	2	2	2	2	2	
14	83-1560-414-00	Handle Grip 27	2	2	2	2	2	2	2	2	2	2	2	2	2	2	2	2	2	2	
15	83-1415-453-00	Lever SC1215	2	2	2	2	2	2	2	2	2	2	2	2	2	2	2	2	2	2	Remark 1
	<b>83-1415-453-10</b>	<b>Lever 27-05-0822S</b>	<b>2</b>	<b>2</b>	<b>2</b>	<b>2</b>	<b>2</b>	<b>2</b>	<b>2</b>	<b>2</b>	<b>2</b>	<b>2</b>	<b>2</b>	<b>2</b>	<b>2</b>	<b>2</b>	<b>2</b>	<b>2</b>	<b>2</b>	<b>2</b>	
16	80-1614-917-00	Label, Handle Up/Down	1	1	1	1	1	1	1	1	1	1	1	1	1	1	1	1	1	1	
17	80-1614-918-00	Label, Handle Right/Left	1	1	1	1	1	1	1	1	1	1	1	1	1	1	1	1	1	1	
18	83-1530-463-00	Throttle Lever	1	1	1	1	1	1	1	1	1	1	1	1	1	1	1	1	1	1	
19	83-1415-951-00	Throttle Wire	1	1	1	1	1	1	1	1	1	1	1	1	1	1	1	1	1	1	
20	80-1613-950-00	Engine stop lever assy.	1	1	1	1															*4)
21	80-1310-203-00	Turntable for Handle	1	1	1	1	1	1	1	1	1	1	1	1	1	1	1	1	1	1	
22	89-2511-000850	Snap Ring 85	1	1	1	1	1	1	1	1	1	1	1	1	1	1	1	1	1	1	
23	80-1210-216-00	Stopper Pin	2	2	2	2	2	2	2	2	2	2	2	2	2	2	2	2	2	2	
24	80-1210-217-00	Stopper Spring	2	2	2	2	2	2	2	2	2	2	2	2	2	2	2	2	2	2	
25	80-1310-215-00	Stopper Cap	2	2	2	2	2	2	2	2	2	2	2	2	2	2	2	2	2	2	
26	83-1445-965-00	Handle Up/Down/Right/Left Wire	2	2	2	2															*4)
	<b>83-1445-965-10</b>	<b>Handle Up/Down/Right/Left Wire</b>	<b>2</b>	<b>2</b>	<b>2</b>	<b>2</b>															
27	83-1210-133-00	Setting Bolt M12X160	1	1	1	1	1	1	1	1	1	1	1	1	1	1	1	1	1	1	
28	80-1210-222-00	Handle Setting Collar	1	1	1	1	1	1	1	1	1	1	1	1	1	1	1	1	1	1	
29	89-1750-120002	Spring Washer 12	2	2	2	2	2	2	2	2	2	2	2	2	2	2	2	2	2	2	
30	80-1310-228-00	Handle Fix Nut	2	2	2	2	2	2	2	2	2	2	2	2	2	2	2	2	2	2	
31	80-1330-214-10	Stopper for Handle Up/Down	1	1	1	1	1	1	1	1	1	1	1	1	1	1	1	1	1	1	
32	89-1750-100002	Spring Washer 10	2	2	2	2	2	2	2	2	2	2	2	2	2	2	2	2	2	2	
33	89-1211-100202	Mini Hexagonal Bolt M10*20	2	2	2	2	2	2	2	2	2	2	2	2	2	2	2	2	2	2	
34	80-1614-732-20	Under Bonnet CMP	1	1	1	1	1	1	1	1	1	1	1	1	1	1	1	1	1	1	
35	89-1750-100002	Spring Washer 10	2	2	2	2	2	2	2	2	2	2	2	2	2	2	2	2	2	2	
36	89-1211-100162	Mini Hexagonal Bolt M10*16	2	2	2	2	2	2	2	2	2	2	2	2	2	2	2	2	2	2	
37	89-1750-080002	Spring Washer 8	2	2	2	2	2	2	2	2	2	2	2	2	2	2	2	2	2	2	
38	89-1213-080162	Mini Hexagonal Bolt (8T) M8*16	2	2	2	2	2	2	2	2	2	2	2	2	2	2	2	2	2	2	
39	80-1614-262-00	Change Plate	1	1	1	1	1	1	1	1	1	1	1	1	1	1	1	1	1	1	
40	89-1213-101302	Mini Hexagonal Bolt (8T) M10*130	1	1	1	1	1	1	1	1	1	1	1	1	1	1	1	1	1	1	
41	89-1750-100002	Spring Washer 10	1	1	1	1	1	1	1	1	1	1	1	1	1	1	1	1	1	1	
42	89-1611-100042	Mini Hexagonal Nut M8	1	1	1	1	1	1	1	1	1	1	1	1	1	1	1	1	1	1	
43	80-1614-265-00	Change Lever (FE250.290.EY28)	1	1			1	1	1												
	80-1614-266-00	Change Lever (GM301)			1																
44	83-1565-329-00	Washer 13x22x2.3	1	1	1	1	1	1	1	1	1	1	1	1	1	1	1	1	1	1	
45	89-2131-120002	R Pin 12	1	1	1	1	1	1	1	1	1	1	1	1	1	1	1	1	1	1	
46	83-1711-426-00	Lever Griio 12	1	1	1	1	1	1	1	1	1	1	1	1	1	1	1	1	1	1	
47	80-1614-746-10	Side Cover	1	1	1	1	1	1	1	1	1	1	1	1	1	1	1	1	1	1	

**Fig. 1 HANDLE (OLD TYPE)**

HR661A Serial No. ~YD01D00075

HR801A Serial No. ~YG01E00032

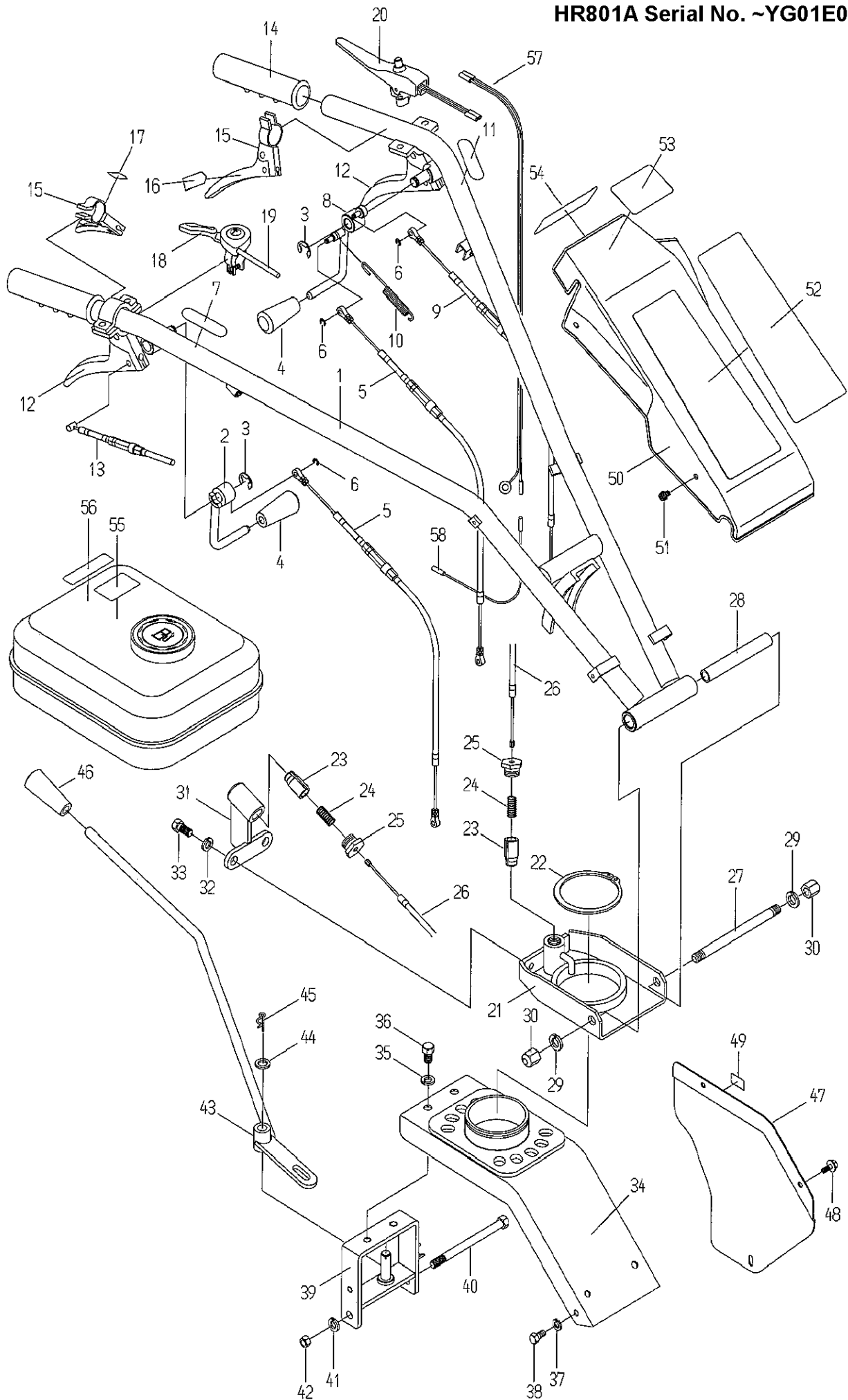


FIG. 1 HANDLE (OLD TYPE)

Ref.	Parts No.	Parts Name	Quantity								Remarks
			OLD	OLD	OLD	OLD	NEW	NEW	NEW	NEW	
			HR	HR	HR	HR	HR	HR	HR	HR	
			661A	661A	801A	801A	661A	661A	801A	801A	
EY28	FE250	GM301	FE290	EY28	FE250	GM301	FE290				
48	89-1131-060152	Hexagonal Bolt(PW) 6*15	3	3	3	3	3	3	3	3	
49	83-1712-923-00	Label, Oil Quantity 1.6 L	1	1	1	1	1	1	1	1	
50	80-1415-223-00	Handle Bonnet	1	1	1	1	1	1	1	1	
51	89-1158-060102	Mini Screw(PWSW) M6*10	4	4	4	4	4	4	4	4	
52	80-1614-904-00	Label, Bonnet	1	1	1	1	1	1	1	1	
53	80-1614-907-00	Label, Model									
	0211-70100	Label, Model	1	1			1	1			
	0204-70100	Label, Model			1	1			1	1	
54	80-1565-911-10	Label, Change	1	1	1	1	1	1	1	1	
55	83-1415-909-00	Label, Caution for Engine etc	1	1	1	1	1	1	1	1	
56	80-1415-911-10	Label, Change	1	1	1	1	1	1	1	1	
57	80-1613-953-00	Harness ASSY	1	1	1	1					*4)
58	80-1614-285-00	Lead Wire (EY28)	1								

M E M O

Remark 1 : Supplied Parts 83-1415-453-10 . 83-1445-965-10 (1 set)

Remark 2 : Supplied Parts 83-1415-453-10 . 83-1110-965-10 (1 set)

\*1) : Interchangeable

\*2) : Serial Number HR661A : ~YD00M00502 HR801A : ~YG00M00030

\*3) : Serial Number HR661A : YD01A00503~ HR801A : YG01A00031~

\*4) : Serial Number HR661A : ~YD01D00075 HR801A : ~YG01E00032

\*5) : Serial Number HR661A : YD01K00076~ HR801A : YG01M00034~

\*6) : Serial Number HR661A : ~YD03G00104 HR801A : ~YG03G00024

\*7) : Serial Number HR661A : YD03K00105~ HR801A : YG03J00025~

\*8) : Serial Number HR661A : YD004M00409~ HR801A : YG05C00001~

\*9) : Serial Number HR661A : ~YD05A00482 HR801A : ~YG04L00034

\*10) : Serial Number HR661A : YD05B00001~ HR801A : YG05C00001~



FIG. 1 HANDLE (NEW TYPE)

Ref.	Parts No.	Parts Name	Quantity								Remarks
			OLD	OLD	OLD	OLD	NEW	NEW	NEW	NEW	
			HR	HR	HR	HR	HR	HR	HR	HR	
			661A	661A	801A	801A	661A	661A	801A	801A	
1	0211-20100	Handle CMP					1	1	1	1	*5)
3	89-2521-000100	E-type Ring 10	2	2	2	2	1	1	1	1	
5	83-1614-932-00	Tension Wire	2	2	2	2	2	2	2	2	
6	89-2521-000050	E-type Ring 5	3	3	3	3	3	3	3	3	
9	0211-70500	Brake Wire					1	1	1	1	*5)
10	0211-20600	Brake Spring					1	1	1	1	*5)
11	0211-70600	Label, Driving					1	1	1	1	*5)
12	83-1761-457-00	Side Clutch Lever					2	2	2	2	*5)
13	83-1614-962-00	Side Clutch Wire	2	2	2	2	2	2	2	2	
14	83-1560-414-00	Handle Grip 27	2	2	2	2	2	2	2	2	
15	83-1415-453-00	Lever SC1215	2	2	2	2	2	2	2	2	*9) Remark 2
	<b>83-1415-453-10</b>	<b>Lever 27-05-0822S</b>	<b>2</b>	<b>2</b>	<b>2</b>	<b>2</b>	<b>2</b>	<b>2</b>	<b>2</b>	<b>2</b>	<b>*10)</b>
16	80-1614-917-00	Label, Handle Up/Down	1	1	1	1	1	1	1	1	
17	80-1614-918-00	Label, Handle Right/Left	1	1	1	1	1	1	1	1	
18	83-1530-463-00	Throttle Lever	1	1	1	1	1	1	1	1	
19	83-1415-951-00	Throttle Wire	1	1	1	1	1	1	1	1	
21	80-1310-203-00	Turntable for Handle	1	1	1	1	1	1	1	1	
22	89-2511-000850	Snap Ring 85	1	1	1	1	1	1	1	1	
23	80-1210-216-00	Stopper Pin	2	2	2	2	2	2	2	2	
24	80-1210-217-00	Stopper Spring	2	2	2	2	2	2	2	2	
25	80-1310-215-00	Stopper Cap	2	2	2	2	2	2	2	2	
26	83-1110-965-00	Handle Up/Down/Right/Left Wire					2	2	2	2	*5) *9)
	<b>83-1110-965-10</b>	<b>Handle Up/Down/Right/Left Wire</b>					<b>2</b>	<b>2</b>	<b>2</b>	<b>2</b>	<b>*10)</b>
27	83-1210-133-00	Setting Bolt M12X160	1	1	1	1	1	1	1	1	
28	80-1210-222-00	Handle Setting Collar	1	1	1	1	1	1	1	1	
29	89-1750-120002	Spring Washer 12	2	2	2	2	2	2	2	2	
30	80-1310-228-00	Handle Fix Nut	2	2	2	2	2	2	2	2	
31	80-1330-214-10	Stopper for Handle Up/Down	1	1	1	1	1	1	1	1	
32	89-1750-100002	Spring Washer 10	2	2	2	2	2	2	2	2	
33	89-1211-100202	Mini Hexagonal Bolt M10*20	2	2	2	2	2	2	2	2	
34	80-1614-732-20	Under Bonnet CMP	1	1	1	1	1	1	1	1	
35	89-1750-100002	Spring Washer 10	2	2	2	2	2	2	2	2	
36	89-1211-100162	Mini Hexagonal Bolt M10*16	2	2	2	2	2	2	2	2	
37	89-1750-080002	Spring Washer 8	2	2	2	2	2	2	2	2	
38	89-1213-080162	Mini Hexagonal Bolt (8T) M8*16	2	2	2	2	2	2	2	2	
39	80-1614-262-00	Change Plate	1	1	1	1	1	1	1	1	
40	89-1213-101302	Mini Hexagonal Bolt (8T) M10*130	1	1	1	1	1	1	1	1	
41	89-1750-100002	Spring Washer 10	1	1	1	1	1	1	1	1	
42	89-1611-100042	Mini Hexagonal Nut M8	1	1	1	1	1	1	1	1	
43	80-1614-265-00	Change Lever (FE250.290.EY28)	1	1		1	1	1		1	
	80-1614-266-00	Change Lever (GM301)			1				1		
44	83-1565-329-00	Washer 13x22x2.3	1	1	1	1	1	1	1	1	
45	89-2131-120002	R Pin 12	1	1	1	1	1	1	1	1	
46	83-1711-426-00	Lever Griot 12	1	1	1	1	1	1	1	1	
47	80-1614-746-10	Side Cover	1	1	1	1	1	1	1	1	
48	89-1131-060152	Hexagonal Bolt(PW) 6*15	3	3	3	3	3	3	3	3	
49	83-1712-923-00	Label, Oil Quantity 1.6 L	1	1	1	1	1	1	1	1	
50	80-1415-223-00	Handle Bonnet	1	1	1	1	1	1	1	1	
51	89-1158-060102	Mini Screw(PWSW) M6*10	4	4	4	4	4	4	4	4	
52	80-1614-904-00	Label, Bonnet	1	1	1	1	1	1	1	1	





FIG. 1 HANDLE (NEW TYPE)

Ref.	Parts No.	Parts Name	Quantity								Remarks	
			OLD	OLD	OLD	OLD	NEW	NEW	NEW	NEW		
			HR	HR	HR	HR	HR	HR	HR	HR		
			661A	661A	801A	801A	661A	661A	801A	801A		
			EY28	FE250	GM301	FE290	EY28	FE250	GM301	FE290		
53	80-1614-907-00	Label, Model										
	0211-70100	Label, Model	1	1			1	1				
	0204-70100	Label, Model			1	1			1	1		
54	80-1565-911-10	Label, Change	1	1	1	1	1	1	1	1	1	
55	83-1415-909-00	Label, Caution for Engine etc	1	1	1	1	1	1	1	1	1	*6)
	0223-76200	Label, Caution for Engine etc					1	1	1	1	1	*1) *7)
56	80-1415-911-10	Label, Change	1	1	1	1	1	1	1	1	1	
59	89-2131-060002	Snap Pin 6					2	2	2	2	2	*5)
60	0211-20300	Blade clutch lever					1	1	1	1	1	*5)
61	89-1113-060552	Hexagonal Bolt (8T) M6*55					2	2	2	2	2	*5)
62	89-1551-060002	Hexagonal U Nut M6					2	2	2	2	2	*5)
63	80-1417-971-00	Blade clutch return spring					1	1	1	1	1	*5)
64	0211-20400	Blade tension lever					1	1	1	1	1	*5)
65	80-1417-255-00	Lever Grip(Red) 10					1	1	1	1	1	*5)
66	0211-70400	Stopper return spring					1	1	1	1	1	*5)
67	80-1417-253-00	Stopper					1	1	1	1	1	*5)
68	0211-20200	Driving clutch lever					1	1	1	1	1	*5)
69	0211-20500	Upper cover					1	1	1	1	1	*5)
70	89-1137-060122	Hexagonal Bolt (PW) M6*12					1	1	1	1	1	*5)
71	80-1417-918-00	Label, Cutting					1	1	1	1	1	*5)
72	89-2120-200152	Split Pin 2*15					1	1	1	1	1	*5)
73	80-1614-280-00	Switch Assy					1	1	1	1	1	*5)
74	83-1310-902-00	OREC Mark	1	1	1	1	1	1	1	1	1	

MEMO

Remark 1 : Supplied Parts 83-1415-453-10 . 83-1445-965-10 (1 set)

Remark 2 : Supplied Parts 83-1415-453-10 . 83-1110-965-10 (1 set)

\*1) : Interchangeable

\*2) : Serial Number HR661A : ~YD00M00502 HR801A : ~YG00M00030

\*3) : Serial Number HR661A : YD01A00503~ HR801A : YG01A00031~

\*4) : Serial Number HR661A : ~YD01D00075 HR801A : ~YG01E00032

\*5) : Serial Number HR661A : YD01K00076~ HR801A : YG01M00034~

\*6) : Serial Number HR661A : ~YD03G00104 HR801A : ~YG03G00024

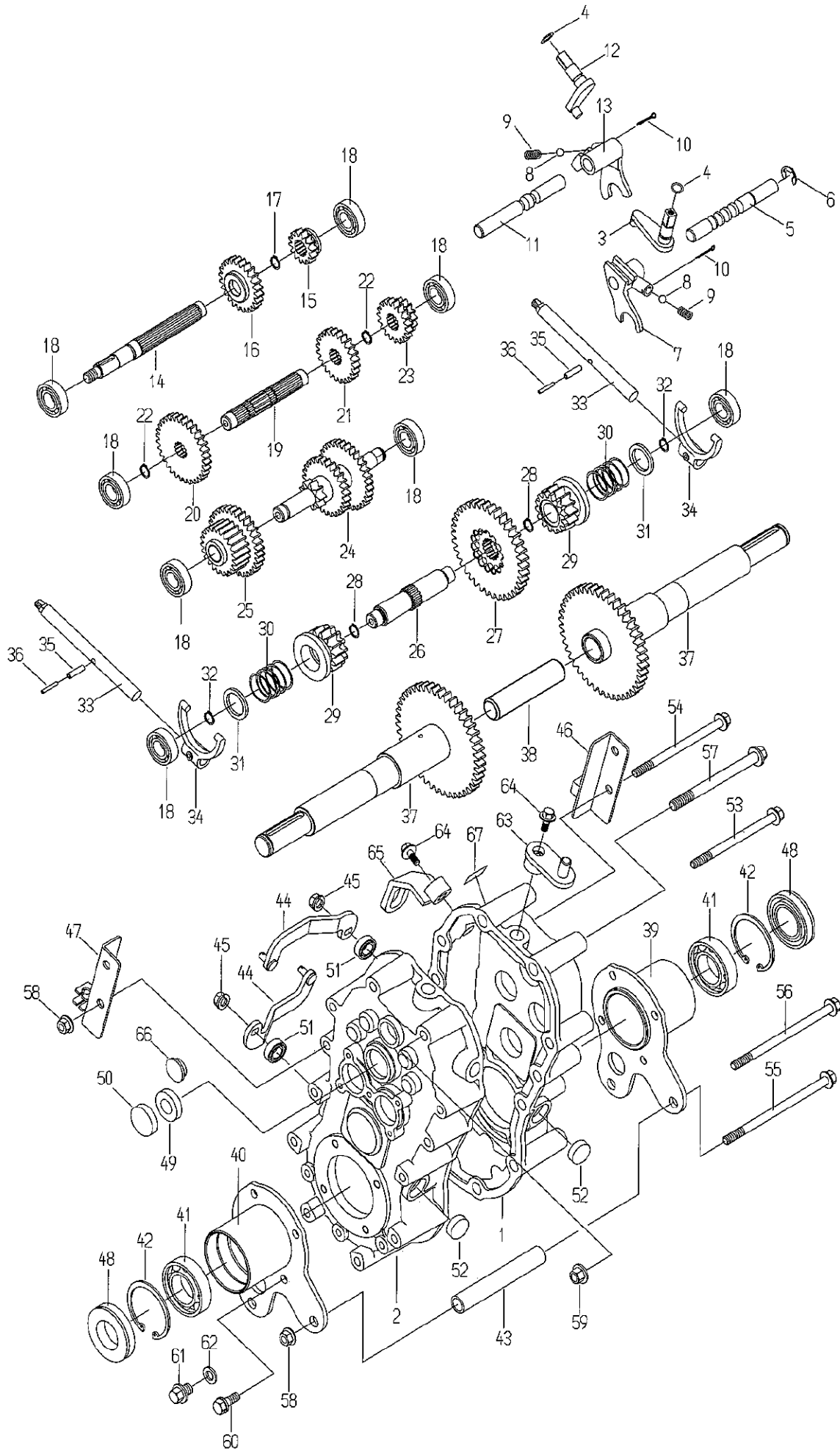
\*7) : Serial Number HR661A : YD03K00105~ HR801A : YG03J00025~

\*8) : Serial Number HR661A : YD004M00409~ HR801A : YG05C00001~

\*9) : Serial Number HR661A : ~YD05A00482 HR801A : ~YG04L00034

\*10) : Serial Number HR661A : YD05B00001~ HR801A : YG05C00001~

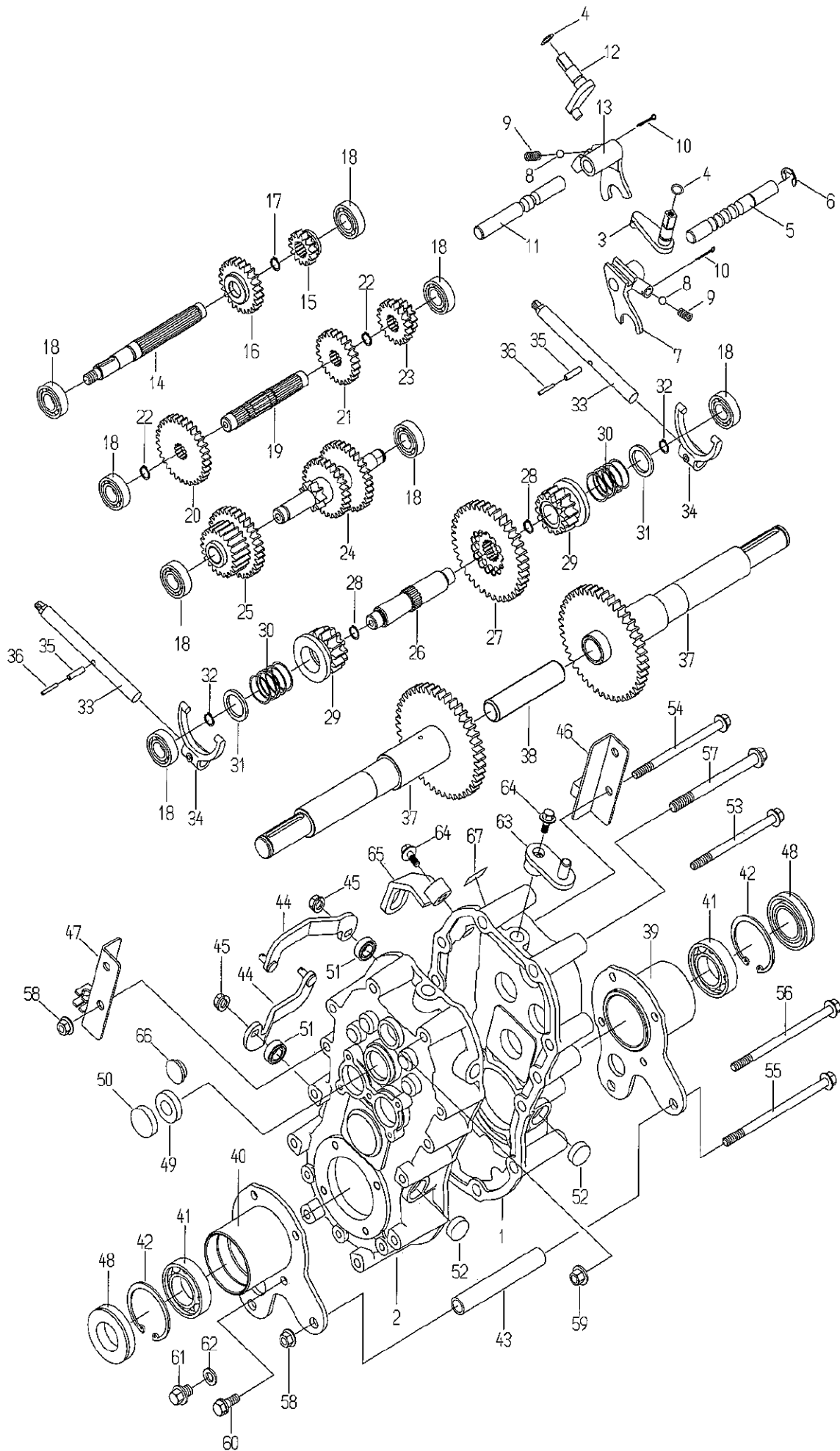
**Fig. 2 TRANSMISSION**



**FIG. 2 TRANSMISSION**

Ref.	Parts No.	Parts Name	Quantity								Remarks
			OLD	OLD	OLD	OLD	NEW	NEW	NEW	NEW	
			HR	HR	HR	HR	HR	HR	HR	HR	
			661A	661A	801A	801A	661A	661A	801A	801A	
			661A	661A	801A	801A	661A	661A	801A	801A	
			EY28	FE250	GM301	FE290	EY28	FE250	GM301	FE290	
1	80-1614-101-00	Transmission Case (L)	1	1	1	1	1	1	1	1	
2	80-1614-103-00	Transmission Case (R)	1	1	1	1	1	1	1	1	
3	80-1575-106-00	Swing Arm	1	1	1	1	1	1	1	1	
4	89-5221-009000	O Ring P9	2	2	2	2	2	2	2	2	
5	80-1575-107-20	Shift Fork Shaft	1	1	1	1	1	1	1	1	
6	89-2521-000100	E-type Ring 10	1	1	1	1	1	1	1	1	
7	80-1575-108-10	1st Shaft Shift Fork	1	1	1	1	1	1	1	1	
8	89-3410-075000	Ball 7.5	2	2	2	2	2	2	2	2	
9	80-1310-138-00	Spring 1.4	2	2	2	2	2	2	2	2	
10	89-2120-200202	Pin 2*20	2	2	2	2	2	2	2	2	
11	80-1575-110-00	Sub Change Shift Fork Shaft	1	1	1	1	1	1	1	1	
12	80-1575-109-00	Swing Arm	1	1	1	1	1	1	1	1	
13	80-1575-111-00	Sub Change Shift Fork	1	1	1	1	1	1	1	1	
14	80-1614-118-00	Transmission 1st Shaft	1	1	1	1	1	1	1	1	
15	80-1575-120-10	1st Shaft Shift Gear 14T	1	1	1	1	1	1	1	1	
16	80-1575-121-00	Top Gear 24T									
	0211-00100	Top Gear 27T	1	1	1	1	1	1	1	1	
17	89-2511-000160	Snap Ring 16	1	1	1	1	1	1	1	1	
18	89-3111-062024	Bearing 6202	8	8	8	8	8	8	8	8	
19	80-1575-127-20	2nd Shaft	1	1	1	1	1	1	1	1	
20	80-1575-128-10	2nd Shaft Gear 32T	1	1	1	1	1	1	1	1	
21	80-1575-129-10	2nd Shaft Gear 24T									
	0211-00200	2nd Shaft Gear 27T	1	1	1	1	1	1	1	1	
22	89-2511-000170	Snap Ring 17	2	2	2	2	2	2	2	2	
23	80-1575-130-50	Sub Change Shift Gear 14-19	1	1	1	1	1	1	1	1	
24	80-1614-134-10	3rd Shaft CMP	1	1	1	1	1	1	1	1	
25	80-1575-135-10	3rd Shaft Law Gear CMP 22-32									
	0211-00300	3rd Shaft Law Gear CMP 19-32	1	1	1	1	1	1	1	1	
26	80-1575-140-00	Side Clutch Shaft	1	1	1	1	1	1	1	1	
27	80-1575-142-00	Side Clutch Gear 38T	1	1	1	1	1	1	1	1	
28	89-2511-000200	Snap Ring 20	2	2	2	2	2	2	2	2	
29	80-1032-141-00	Side Clutch Gear 14T	2	2	2	2	2	2	2	2	
30	80-1575-162-00	Side Clutch Spring	2	2	2	2	2	2	2	2	
31	83-1633-362-10	Thrust Washer 15x30x1.2	2	2	2	2	2	2	2	2	
32	89-2511-000150	Snap Ring 15	2	2	2	2	2	2	2	2	
33	80-1425-112-00	Driving Clutch Fork Shaft	2	2	2	2	2	2	2	2	
34	80-1415-114-00	Side Clutch Fork	2	2	2	2	2	2	2	2	
35	89-2111-050020	Spring Pin 5x20	2	2	2	2	2	2	2	2	
36	89-2111-030020	Spring Pin 3x20	2	2	2	2	2	2	2	2	
37	80-1614-146-10	Axle CMP	2	2			2	2			
	0204-00100	Axle CMP			2	2			2	2	
38	80-1310-150-10	Shaft Pin	1	1	1	1	1	1	1	1	
39	80-1565-156-00	Shaft BB Case (R)	1	1	1	1	1	1	1	1	
40	80-1565-155-00	Shaft BB Case (L)	1	1	1	1	1	1	1	1	
41	89-3111-060064	Bearing 6006	2	2	2	2	2	2	2	2	
42	89-2512-000550	Snap Ring 55	2	2	2	2	2	2	2	2	
43	80-1565-159-00	Shaft BB Reinforce Pipe	2	2	2	2	2	2	2	2	
44	80-1565-153-00	Side Clutch Arm	2	2	2	2	2	2	2	2	
45	89-1543-080002	Mini Hexagonal Nut(SW) M8	2	2	2	2	2	2	2	2	
46	80-1565-197-00	Side Clutch Wire Stopper (L)	1	1	1	1	1	1	1	1	
47	80-1614-198-10	Side Clutch Wire Stopper (R)	1	1	1	1	1	1	1	1	

**Fig. 2 TRANSMISSION**

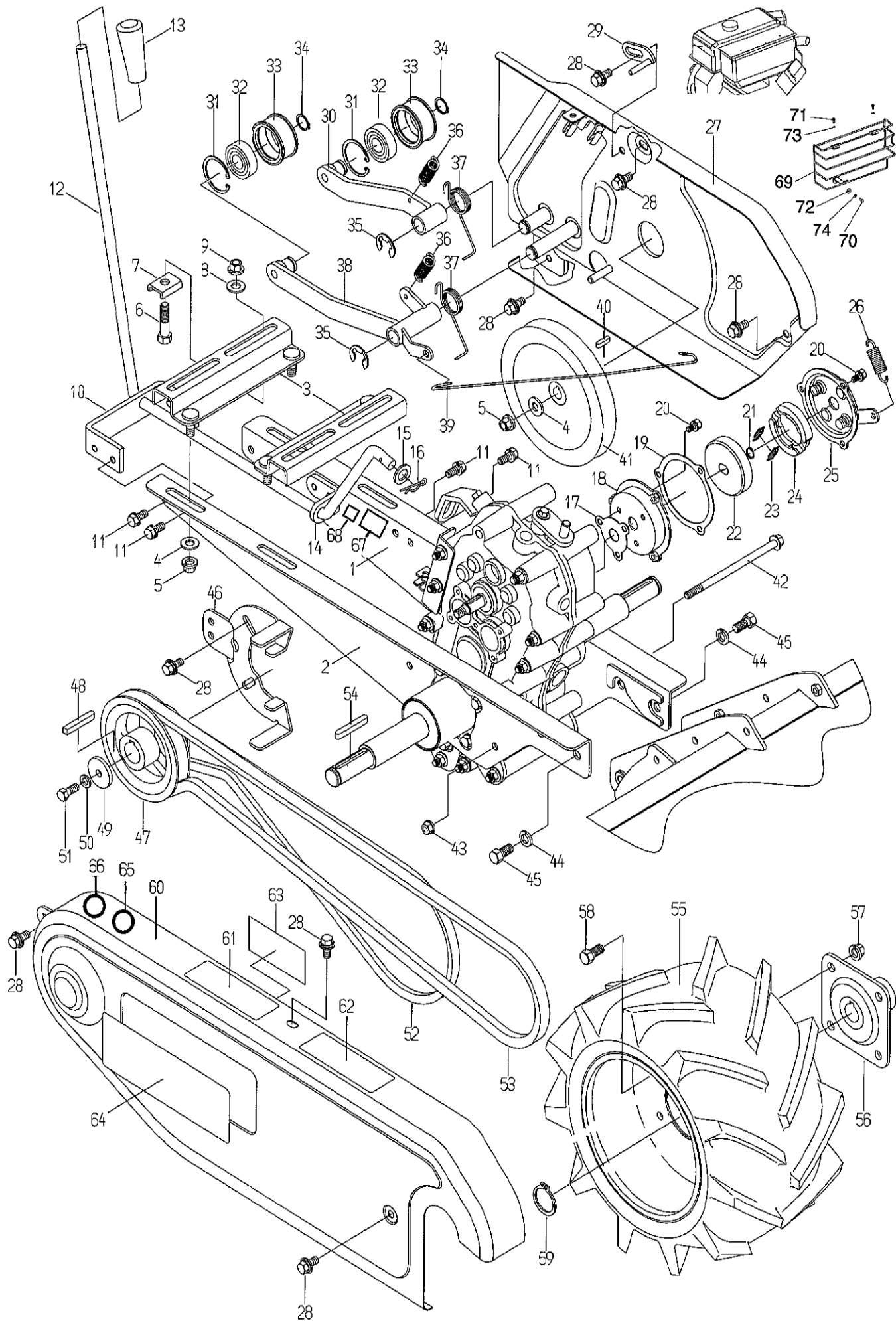


**FIG. 2 TRANSMISSION**

Ref.	Parts No.	Parts Name	Quantity								Remarks
			OLD	OLD	OLD	OLD	NEW	NEW	NEW	NEW	
			HR	HR	HR	HR	HR	HR	HR	HR	
			661A	661A	801A	801A	661A	661A	801A	801A	
48	83-1415-662-00	Oil Seal AP 35.55.8	2	2	2	2	2	2	2	2	
49	89-5121-153007	Oil Seal UE 15.30.7	2	2	2	2	2	2	2	2	
50	83-1415-672-00	Blind Cover 30	2	2	2	2	2	2	2	2	
51	89-5121-122207	Oil Seal UE 12x22x7	2	2	2	2	2	2	2	2	
52	83-1415-671-00	Blind Cover 22	2	2	2	2	2	2	2	2	
53	89-1251-081122	Flange Hexagonal Bolt M8*112	2	2	2	2	2	2	2	2	
54	89-1251-081202	Flange Hexagonal Bolt M8*120	2	2	2	2	2	2	2	2	
55	89-1251-081402	Flange Hexagonal Bolt M8*140	3	3	3	3	3	3	3	3	
56	89-1251-081352	Flange Hexagonal Bolt M8*135	2	2	2	2	2	2	2	2	
57	89-1251-101152	Flange Hexagonal Bolt M8*115	1	1	1	1	1	1	1	1	
58	89-1565-080003	Mini Flange U Nut M8	9	9	9	9	9	9	9	9	
59	89-1565-100003	Mini Flange U Nut M10	1	1	1	1	1	1	1	1	
60	83-1415-127-00	Seal Bolt(SW) M8x20	8	8	8	8	8	8	8	8	
61	89-1251-100122	Flange Hexagonal Bolt M10*12	1	1	1	1	1	1	1	1	
62	83-1020-349-00	Copper Packing 10	1	1	1	1	1	1	1	1	
63	80-1565-264-00	Main Change Arm(Complete)	1	1	1	1	1	1	1	1	
64	83-1565-111-00	Hexagonal Bolt(with Big Washer) M	2	2	2	2	2	2	2	2	
65	80-1614-194-10	Sub Change Arm(complete)	1	1	1	1	1	1	1	1	
66	83-1110-683-00	Oil Stopper 20	2	2	2	2	2	2	2	2	
67	80-1614-909-00	Label, Transmission Set									
	0211-70200	Label, Transmission	1	1			1	1			
	0204-70200	Label, Transmission			1	1			1	1	

M E M O

**Fig. 3 FRAME**



**FIG. 3 FRAME**

Ref.	Parts No.	Parts Name	Quantity								Remarks
			OLD	OLD	OLD	OLD	NEW	NEW	NEW	NEW	
			HR	HR	HR	HR	HR	HR	HR	HR	
			661A	661A	801A	801A	661A	661A	801A	801A	
1	80-1614-301-20	Main Frame(L) CMP	1	1	1	1	1	1	1	1	
2	80-1614-302-20	Main Frame(R) CMP	1	1	1	1	1	1	1	1	
3	80-1415-311-20	Free Base	2	2	2	2	2	2	2	2	
4	89-1711-100002	Flat Washer	5	5	5	5	5	5	5	5	
5	89-1543-100002	Mini Hexagonal Nut(SW) M10	5	5	5	5	5	5	5	5	
6	89-1211-100402	Mini Hexagonal Bolt M10*40	4		4		4		4		
	89-1213-080402	Mini Hexagonal Bolt (8T) M8*40		4		4		4		4	
7	83-1210-389-00	Whirl Stop Plate A10 (H17)	4		4		4		4		
	0211-31100	Whirl Stop Plate A10 (H14)	4		4		4		4		
	83-1210-388-00	Whirl Stop Plate B8		4		4		4		4	
8	89-1711-100002	Flat Washer 10	2		2	2	2		2		
	89-1711-080002	Flat Washer 8		2				2		2	
9	89-1543-100002	Mini Hexagonal Nut(SW) M10	4		4		4		4		
	89-1543-080002	Mini Hexagonal Nut(SW) M8		4		4		4		4	
10	80-1415-326-00	Rear Bracket	1	1	1	1	1	1	1	1	
11	89-1232-080162	Mini Hexagonal Bolt (SW) M8*16	6	6	6	6	6	6	6	6	
12	80-1415-263-00	Change Lever (FE250.FE290.GM301)		1	1	1		1	1	1	
	80-1415-263-10	Change Lever (FE250.FE290.GM301)		1	1	1		1	1	1	*1)
	80-1614-263-00	Change Lever (EY28)	1				1				
13	83-1711-426-00	Lever Grip 12	1	1	1	1	1	1	1	1	
14	80-1415-327-00	Change Rod Setting	1	1	1	1	1	1	1	1	
15	89-1711-120002	Flat Washer 12	1	1	1	1	1	1	1	1	
16	89-2131-120002	R Pin 12	1	1	1	1	1	1	1	1	
17	85-1445-317-00	Brake Packing(small)	1	1	1	1	1	1	1	1	
18	80-1614-312-00	Brake Cover CMP	1	1	1	1	1	1	1	1	
19	85-1445-318-00	Brake Packing(large)	1	1	1	1	1	1	1	1	
	0211-31800	Brake Packing(large)	1	1	1	1	1	1	1	1	*1)
20	89-1132-060122	Hexagonal Bolt(SW) M6*12	6	6	6	6	6	6	6	6	
21	89-2511-000140	Snap Ring 14	1	1	1	1	1	1	1	1	
22-25	80-1614-310-00	Brake ASSY	1	1	1	1	1	1	1	1	
22	85-1711-315-00	Brake Drum	1	1	1	1	1	1	1	1	
23	85-1711-317-00	Shoe Return Spring	2	2	2	2	2	2	2	2	
24	85-1711-316-00	Brake Shoe	2	2	2	2	2	2	2	2	
25	80-1614-314-00	Brake Cover	1	1	1	1	1	1	1	1	
26	80-1614-315-00	Return Spring	1	1	1	1	1	1	1	1	
27	80-1614-501-20	Belt Cover Inside CMP	1	1	1	1	1	1	1	1	
28	89-1233-080162	Mini Hexagonal Bolt (PW SW) M8*1	9	9	9	9	9	9	9	9	
29	80-1321-561-10	Belt Holder	1	1	1	1	1	1	1	1	
30	80-1614-542-10	Driving Tension Arm	1	1	1	1	1	1	1	1	
31	89-2512-000400	Snap Ring 40	2	2	2	2	2	2	2	2	
32	89-3115-062034	Bearing 6203 2RS	2	2	2	2	2	2	2	2	
33	83-1032-765-00	Tension Pulley	2	2	2	2	2	2	2	2	
34	89-2511-000170	Snap Ring 17	2	2	2	2	2	2	2	2	
35	89-2521-000150	E-type Ring 15	2	2	2	2	2	2	2	2	
36	80-1560-551-00	Return Spring	2	2	2	2	2	2	2	2	
37	80-1614-552-00	Tension Spring	2	2	2	2	2	2	2	2	
38	80-1614-546-10	Knife Tension Arm	1	1	1	1	1	1	1	1	
39	80-1614-374-30	Brake Rod	1	1	1	1	1	1	1	1	
40	89-2150-050200	Key 5x20	1	1	1	1	1	1	1	1	
41	80-1614-521-00	Transmission Pulley	1	1	1	1	1	1	1	1	
42	89-1251-081453	Flange Hexagonal Bolt M8*145	3	3	3	3	3	3	3	3	

**Fig. 3 FRAME**

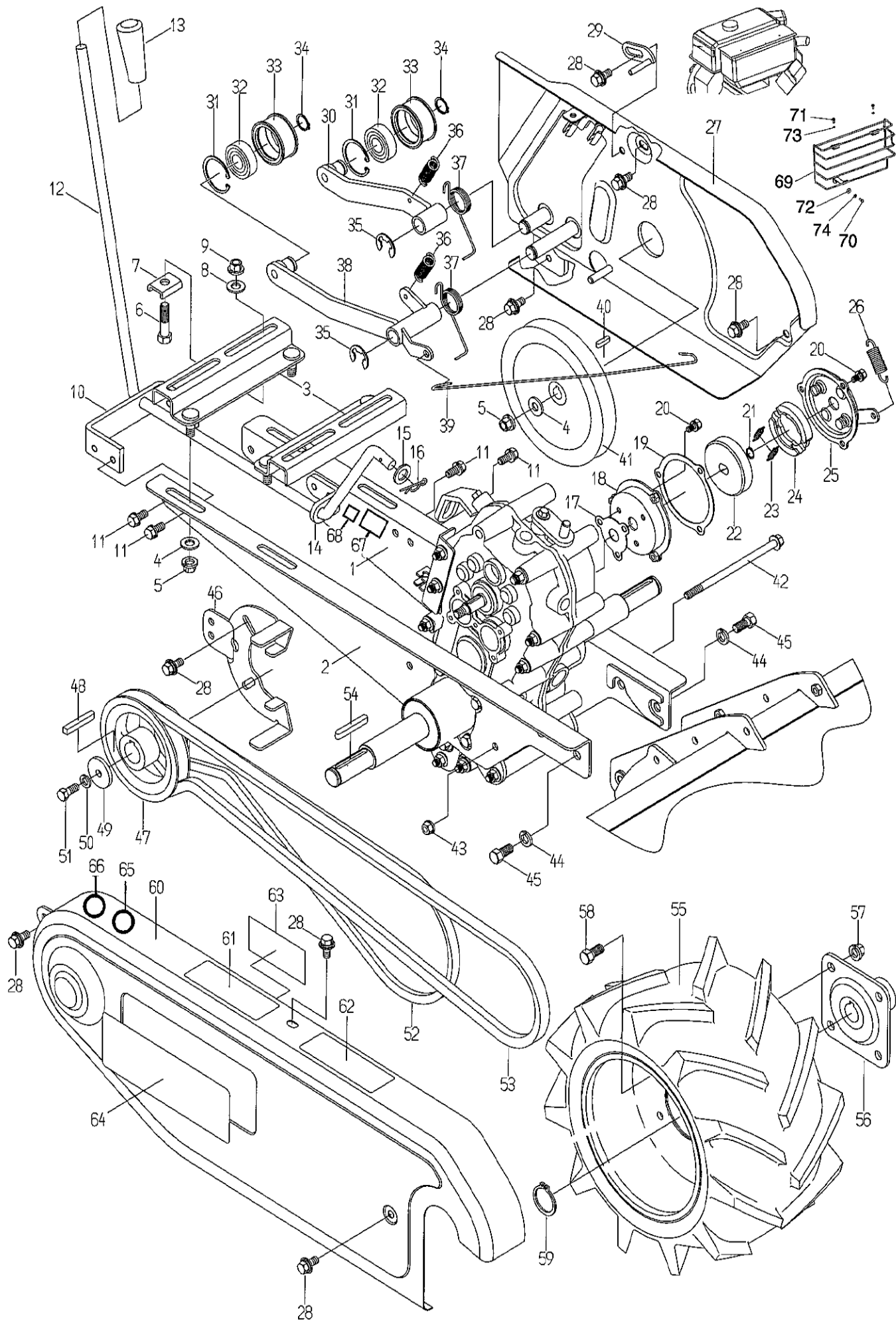




FIG. 3 FRAME

Ref.	Parts No.	Parts Name	Quantity								Remarks
			OLD	OLD	OLD	OLD	NEW	NEW	NEW	NEW	
			HR	HR	HR	HR	HR	HR	HR	HR	
			661A	661A	801A	801A	661A	661A	801A	801A	
43	89-1543-080002	Mini Hexagonal Nut(SW) M8	3	3	3	3	3	3	3	3	
44	89-1750-100002	Spring Washer 10	4	4	4	4	4	4	4	4	
45	89-1213-100202	Mini Hexagonal Bolt (8T) M10*20	4	4	4	4	4	4	4	4	
46	80-1614-561-20	Belt Holder	1	1	1	1	1	1	1	1	
47	80-1614-514-20	Engine Pulley 132	1	1	1	1	1	1	1	1	
48	89-2151-070400	Key 7x40	1	1	1	1	1	1	1	1	
49	83-1565-315-00	Washer 8x36x4.5	1	1	1	1	1	1	1	1	
50	89-1750-080002	Spring Washer 8	1	1	1	1	1	1	1	1	
51	89-1213-080202	Mini Hexagonal Bolt (8T) M8*20	1	1	1	1	1	1	1	1	
52	89-6122-004601	V Belt LA-46		1				1			
	89-6122-004701	V Belt LA-47	1				1				
	89-6122-004602	V Belt LA-46 W800			1	1			1	1	
53	89-6123-006201	V Belt LB-62		1				1			
	89-6123-006301	V Belt LB-63	1				1				
	89-6123-006202	V Belt LB-62 W800			1	1			1	1	
54	89-2150-070500	Key 7x50	2	2	2	2	2	2	2	2	
55	80-1751-412-00	Tire(R) ASSY	1	1	1	1	1	1	1	1	
	80-1751-411-00	Tire(L) ASSY	1	1	1	1	1	1	1	1	
56	80-1565-413-00	Wheel Boss	2	2	2	2	2	2	2	2	
57	89-1543-100002	Mini Hexagonal Nut(SW) M10	8	8	8	8	8	8	8	8	
58	89-1211-100202	Mini Hexagonal Bolt M10*20	8	8	8	8	8	8	8	8	
59	89-2511-000220	Snap Ring 22	2	2	2	2	2	2	2	2	
60	80-1614-504-10	Belt Cover CMP	1	1	1	1	1	1	1	1	
	80-1614-504-20	Belt Cover CMP	1	1	1	1	1	1	1	1	*1)
61	80-1488-928-00	Label, Caution for Pinching	1	1	1	1	1	1	1	1	*6)
	80-1488-928-10	Label, Caution for Pinching					1	1	1	1	*1) *7)
62	83-1260-908-00	Label, Caution for Back	1	1	1	1	1	1	1	1	*6)
63	83-1614-920-10	Label, Belt Size	1	1	1	1	1	1	1	1	
64	80-1614-905-00	Label, Belt Case	1	1	1	1	1	1	1	1	
65	0215-83200	Label, Protection Equipment					1	1	1	1	*7)
66	0223-72900	Attention Mark for Slope					1	1	1	1	*7)
	0223-72910	Attention Mark for Slope					1	1	1	1	*1) 8)
67	80-1020-932-00	Label, Noise 100db	1	1	1	1	1	1	1	1	
68	80-1010-933-00	Label, CE	1	1	1	1	1	1	1	1	
69	0223-60700	Muffler Guard CMP						1		1	*8)
70	89-1113-060162	Hexagonal Bolt (8T) M6*16						1		1	*8)
71	89-1251-050123	Flange Hexagonal Bolt M5*12						2		2	*8)
72	89-1713-060002	Flat Washer 6						1		1	*8)
73	89-1750-050003	Spring Washer 5						2		2	*8)
74	89-1750-060002	Spring Washer 6						1		1	*8)

MEMO



**FIG. 4 ROTARY COVER**

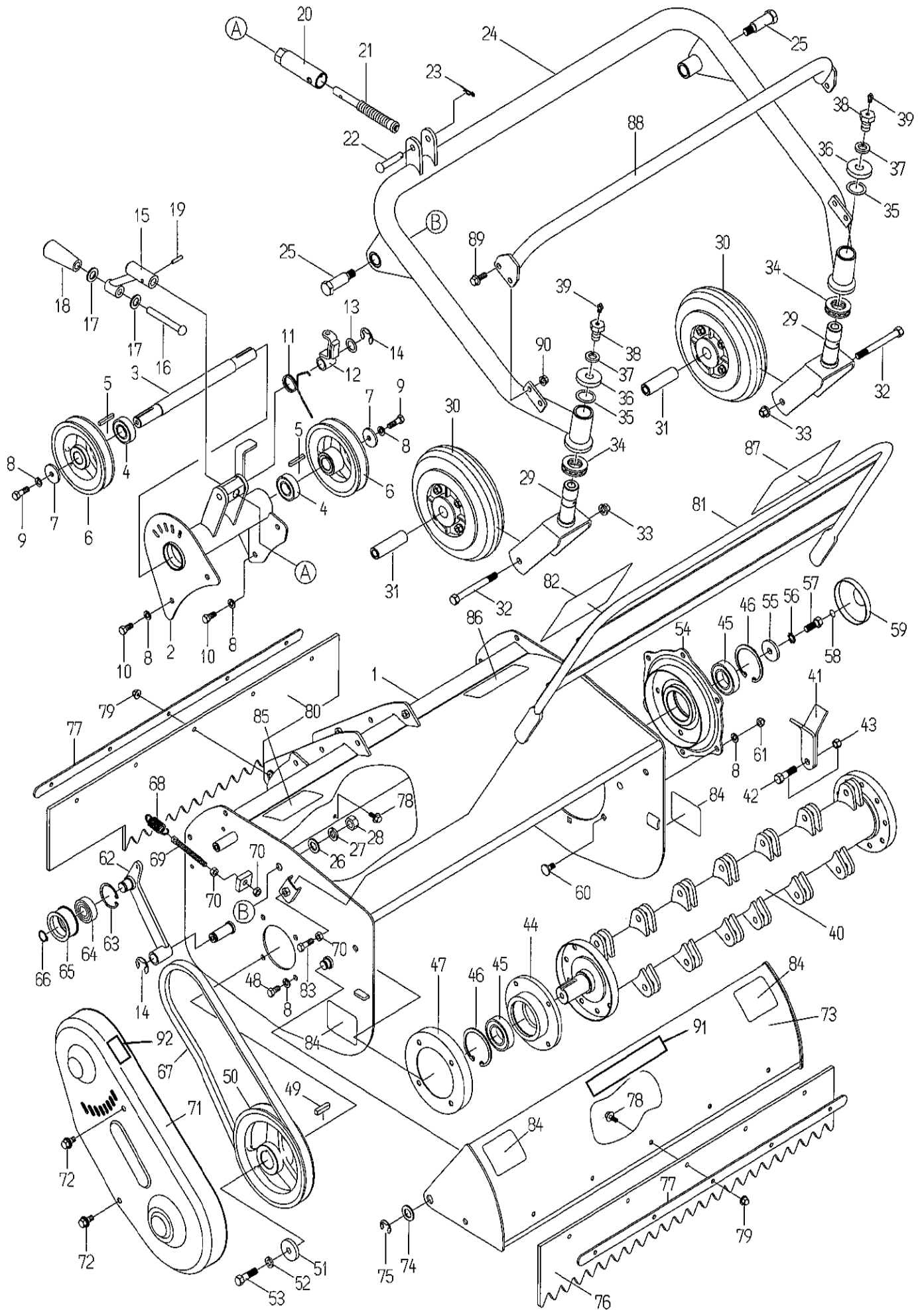
Ref.	Parts No.	Parts Name	Quantity								Remarks
			OLD	OLD	OLD	OLD	NEW	NEW	NEW	NEW	
			HR	HR	HR	HR	HR	HR	HR	HR	
			661A	661A	801A	801A	661A	661A	801A	801A	
1	80-1614-703-20	Rotary Cover CMP	1	1							
	80-1614-703-30	Rotary Cover CMP	1	1			1	1			*1)
	0204-60100	Rotary Cover CMP			1	1					
	0204-60110	Rotary Cover CMP			1	1			1	1	*1)
2	80-1614-691-20	Supporter Pipe CMP	1	1							
	80-1614-691-30	Supporter Pipe CMP	1	1			1	1			*1)
	0204-40200	Supporter Pipe CMP			1	1			1	1	
3	80-1614-621-20	Supporter Shaft	1	1			1	1			*2)
	80-1614-621-30	Supporter Shaft	1	1			1	1			*3)
	0204-40100	Supporter Shaft			1	1			1	1	*2)
	0204-40110	Supporter Shaft			1	1			1	1	*3)
4	89-3115-060044	Bearing 6004 2RS	2	2	2	2	2	2	2	2	
5	89-2151-050350	Key 5x35	2	2	2	2	2	2	2	2	
6	80-1614-636-00	Supporter Pulley	2	2	2	2	2	2	2	2	
7	83-1565-315-00	Washer 8x36x4.5	2	2	2	2	2	2	2	2	*2)
	83-1610-321-00	Washer 10x36x4.5	2	2	2	2	2	2	2	2	*3)
8	89-1750-080002	Spring Washer 8	16	16	16	16	16	16	16	16	*2)
	89-1750-080002	Spring Washer 8	14	14	14	14	14	14	14	14	*3)
	89-1750-100002	Spring Washer 10	2	2	2	2	2	2	2	2	*3)
9	89-1213-080252	Mini Hexagonal Bolt (8T) M8*25	2	2	2	2	2	2	2	2	*2)
	89-1213-100252	Mini Hexagonal Bolt (8T) M10*25	2	2	2	2	2	2	2	2	*3)
10	89-1213-080182	Mini Hexagonal Bolt (8T) M8*18	4	4	4	4	4	4	4	4	
11	80-1614-373-20	Knife Brake Spring	1	1	1	1	1	1	1	1	
12	80-1417-371-00	Knife Brake	1	1	1	1	1	1	1	1	
	0231-37100	Knife Brake	1	1	1	1	1	1	1	1	*1)
13	83-1020-363-00	Thrust Washer 16x24x1.0	1	1	1	1	1	1	1	1	
14	89-2521-000150	E-type Ring 15	2	2	2	2	2	2	2	2	
15	84-1723-739-00	Cutting Height Adjusting Handle	1	1	1	1	1	1	1	1	
16	83-1713-166-00	Round Head Pin 10x80	1	1	1	1	1	1	1	1	
17	89-1711-100002	Flat Washer 10	2	2	2	2	2	2	2	2	
18	83-1210-425-00	Lever Grip 10	1	1	1	1	1	1	1	1	
19	89-2111-050022	Spring Pin 5x22	1	1	1	1	1	1	1	1	
20	80-1614-742-10	Height Adjusting Bolt Receiver	1	1	1	1	1	1	1	1	
21	80-1614-724-10	Height Adjusting Bolt CMP	1	1	1	1	1	1	1	1	
22	89-2181-100502	Flat Head Pin 10x50	1	1	1	1	1	1	1	1	
23	89-2131-100002	R Pin 10	1	1	1	1	1	1	1	1	
24	80-1614-723-20	Front Arm CMP	1	1							
	0211-60400	Front Arm CMP					1	1			*1) *5)
	0204-60200	Front Arm CMP			1	1					
	0204-61100	Front Arm CMP							1	1	*1) *5)
25	80-1610-714-00	Front Arm Setting Shaft	2	2	2	2	2	2	2	2	
26	89-1711-120002	Flat Washer 12	2	2	2	2	2	2	2	2	
27	89-1750-120002	Spring Washer 12	2	2	2	2	2	2	2	2	
28	83-1610-192-00	Hexagonal Nut(slender) M12 P=1.2	2	2	2	2	2	2	2	2	
29	80-1614-725-10	Front Fork CMP	2	2	2	2	2	2	2	2	
	80-1614-725-20	Front Fork CMP	2	2	2	2	2	2	2	2	*1)
30	80-1614-727-00	Front Wheel	2	2	2	2	2	2	2	2	
31	80-1614-726-00	Front Wheel Collar	2	2	2	2	2	2	2	2	
32	89-1211-100952	Mini Hexagonal Bolt M10*95	2	2	2	2	2	2	2	2	
33	89-1543-100002	Mini Hexagonal Nut(SW) M10	2	2	2	2	2	2	2	2	
34	89-3370-051105	Thrust Bearing 51105	2	2	2	2	2	2	2	2	



**FIG. 4 ROTARY COVER**

Ref.	Parts No.	Parts Name	Quantity								Remarks
			OLD	OLD	OLD	OLD	NEW	NEW	NEW	NEW	
			HR	HR	HR	HR	HR	HR	HR	HR	
			661A	661A	801A	801A	661A	661A	801A	801A	
EY28	FE250	GM301	FE290	EY28	FE250	GM301	FE290				
35	83-1783-376-00	Thrust Washer 25x34x1.0	2	2	2	2	2	2	2	2	
36	84-1783-729-00	Dust Cover	2	2	2	2	2	2	2	2	
37	89-1750-140002	Spring Washer 14	2	2	2	2	2	2	2	2	
38	84-1783-791-00	Grease Nipple Bolt	2	2	2	2	2	2	2	2	
39	83-1415-975-00	Grease Nipple M6	2	2	2	2	2	2	2	2	
40-43	80-1614-800-00	Knife Drum ASSY	1	1			1	1			
40-43	0204-50000	Knife Drum ASSY			1	1			1	1	
41	80-1610-821-00	Hammer Knife Blade	38	38	46	46	38	38	46	46	
42-43	83-1610-835-00	Knife Setting Bolt Set	19	19	23	23	19	19	23	23	
44	80-1610-804-00	BB Case	1	1	1	1	1	1	1	1	
45	89-3115-062064	Bearing 6206 2RS	2	2	2	2	2	2	2	2	
46	89-2512-000620	Snap Ring 62	2	2	2	2	2	2	2	2	
47	80-1612-813-00	Dust Cover	1	1	1	1	1	1	1	1	
48	89-1213-080162	Mini Hexagonal Bolt (8T) M8*16	4	4	4	4	4	4	4	4	
49	89-2151-070300	Key 7x30	1	1	1	1	1	1	1	1	
50	80-1614-634-20	Knife Pulley 155	1	1	1	1	1	1	1	1	
51	83-1610-322-00	Washer 10x36x6	1	1	1	1	1	1	1	1	
52	89-1750-100002	Spring Washer 10	1	1	1	1	1	1	1	1	
53	83-1610-125-00	Hexagonal Bolt(8T) M10x35	1	1	1	1	1	1	1	1	
54	80-1614-804-20	Knife Shaft BB Case CMP	1	1	1	1	1	1	1	1	
55	83-1610-321-00	Washer 10x36x4.5	1	1	1	1	1	1	1	1	
56	89-1812-100002	Tooth Washer 10	1	1	1	1	1	1	1	1	
57	83-1610-124-00	Hexagonal Bolt(8T) M10x25(left sc	1	1	1	1	1	1	1	1	
58	80-1610-919-00	Label for Left Screw	1	1	1	1	1	1	1	1	
59	80-1614-810-00	BB Case Cover	1	1	1	1	1	1	1	1	
60	80-1614-705-00	Flat Head Bolt M8x18	6	6	6	6	6	6	6	6	
61	89-1671-080042	Mini Bag Nut M8	6	6	6	6	6	6	6	6	
62	80-1614-632-00	Front Tension Arm CMP	1	1	1	1	1	1	1	1	
63	89-2512-000400	Snap Ring 40	1	1	1	1	1	1	1	1	
64	89-3115-062034	Bearing 6203 2RS	1	1	1	1	1	1	1	1	
65	83-1032-765-00	Tension Pulley	1	1	1	1	1	1	1	1	
66	89-2511-000170	Snap Ring 17	1	1	1	1	1	1	1	1	
67	89-6123-003901	V Belt LB-39	1	1			1	1			
	89-6123-003902	V Belt LB-39 W800			1	1			1	1	
68	80-1614-315-00	Return Spring	1	1	1	1	1	1	1	1	
69	80-1182-527-00	Tension Pulling Bolt	1	1	1	1	1	1	1	1	
70	89-1611-080042	Mini Hexagonal Nut M8	4	4	4	4	4	4	4	4	
71	80-1614-694-10	Knife Belt Cover	1	1	1	1	1	1	1	1	
72	89-1233-080162	Mini Hexagonal Bolt (PWSW) M8*1	2	2	2	2	2	2	2	2	
73	80-1614-764-00	Front Cover CMP	1	1			1	1			
	0204-60300	Front Cover CMP			1	1			1	1	
74	83-1110-332-00	Washer 15x26x2.3	2	2	2	2	2	2	2	2	
75	89-2521-000120	E-type Ring 12	2	2	2	2	2	2	2	2	
76	80-1614-781-00	Front Flapper	1	1			1	1			
	80-1614-781-10	Front Flapper	1	1			1	1			*1)
	0204-60400	Front Flapper			1	1			1	1	
77	80-1610-787-00	Flapper Holder	2	2			2	2			
	0204-70600	Flapper Holder			2	2			2	2	
78	89-1137-060152	Hexagonal Bolt(PW) M6*15	10	10	10	10	10	10	10	10	
79	83-1575-189-00	Flange Cap Nut M6	10	10	10	10	10	10	10	10	

**Fig. 4 ROTARY COVER**



**FIG. 4 ROTARY COVER**

Ref.	Parts No.	Parts Name	Quantity								Remarks
			OLD	OLD	OLD	OLD	NEW	NEW	NEW	NEW	
			HR	HR	HR	HR	HR	HR	HR	HR	
			661A	661A	801A	801A	661A	661A	801A	801A	
80	80-1614-782-00	Rear Flapper	1	1			1	1			
	80-1614-782-10	Rear Flapper	1	1			1	1			*1)
	0204-60500	Rear Flapper			1	1			1	1	
81	80-1613-733-10	Safety Cover	1	1			1	1			
	0204-60700	Safety Cover			1	1			1	1	
82	80-1614-906-00	Label, Safety Cover	1	1	1	1	1	1	1	1	
83	89-1211-080252	Mini Hexagonal Bolt M8*25	2	2	2	2	2	2	2	2	
84	83-1613-907-00	Label, Caution for Hand and Leg	4	4	4	4	4	4	4	4	*6)
	83-1613-907-10	Label, Caution for Hand and Leg					4	4	4	4	*7)
85	83-1415-912-00	Label, Caution for Hitting Object	1	1	1	1	1	1	1	1	*6)
86	83-1415-913-00	Label, Eye Guard	1	1	1	1	1	1	1	1	*6)
87	80-1484-A47-00	Label, Caution(large)	1	1	1	1	1	1	1	1	*6)
	0223-76100	Label, Caution(large)					1	1	1	1	*7)
88	0211-60500	Front Bumper					1	1			*5)
	0204-61200	Front Bumper							1	1	*5)
89	89-1253-080202	Mini Flange Bolt(8T) M8*20					4	4	4	4	*5)
90	89-1543-080002	Mini Hexagonal Nut (SW) M8					4	4	4	4	*5)
91	83-1050-901-00	Label, OREC	1	1	1	1	1	1	1	1	
92	80-1488-928-10	Label, Caution for Pinching					1	1	1	1	*7)

**M E M O**

Remark 1 : Supplied Parts 83-1415-453-10 . 83-1445-965-10 (1 set)

Remark 2 : Supplied Parts 83-1415-453-10 . 83-1110-965-10 (1 set)

\*1) : Interchangeable

\*2) : Serial Number HR661A : ~YD00M00502 HR801A : ~YG00M00030

\*3) : Serial Number HR661A : YD01A00503~ HR801A : YG01A00031~

\*4) : Serial Number HR661A : ~YD01D00075 HR801A : ~YG01E00032

\*5) : Serial Number HR661A : YD01K00076~ HR801A : YG01M00034~

\*6) : Serial Number HR661A : ~YD03G00104 HR801A : ~YG03G00024

\*7) : Serial Number HR661A : YD03K00105~ HR801A : YG03J00025~

\*8) : Serial Number HR661A : YD004M00409~ HR801A : YG05C00001~

\*9) : Serial Number HR661A : ~YD05A00482 HR801A : ~YG04L00034

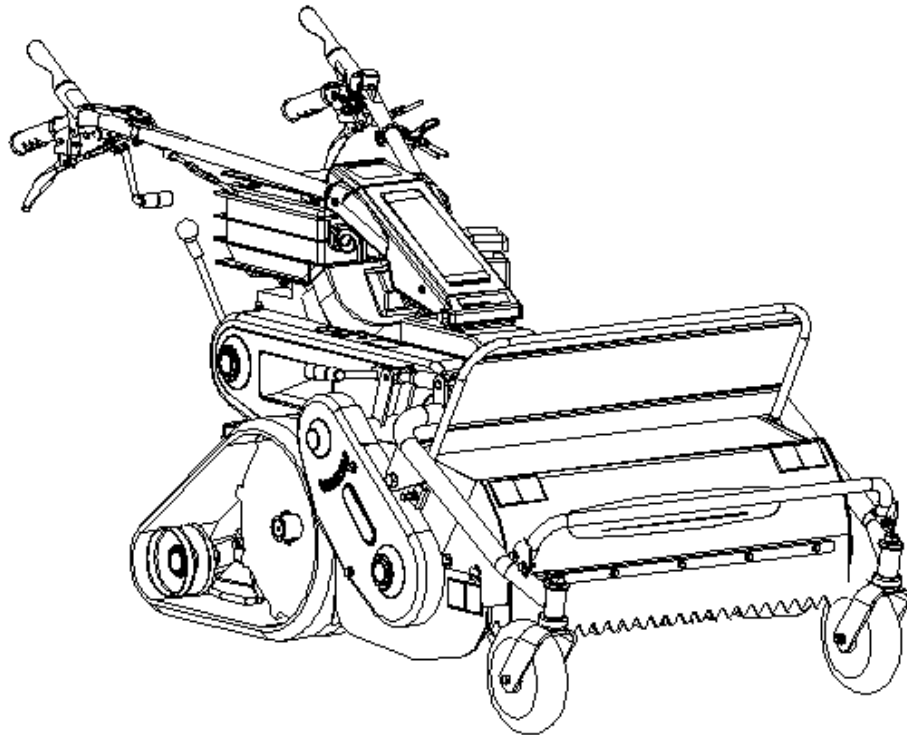
\*10) : Serial Number HR661A : YD05B00001~ HR801A : YG05C00001~

# Parts Catalogue

## FLAIL MOWER

(EXPORT MODEL)

### HRC662



HRC662 0282-?????  
HR661 80-1614-???-??  
HR661A 0211-?????

#### CONTENTS

Handle .....	1
Frame .....	3
Transmission .....	9
Rotary cover.....	13
Crawler.....	19

OREC CO.,LTD.

*Update : March 2008*



18	0282-72100	Label, Model HRC662	1	
17	0211-70400	Stopper Return Spring	1	
16	0211-20500	Upper Cover	1	
15	0211-20400	Blade Tension Lever	1	
14	89-2521-000100	E Type Ring 10	1	
13	89-2521-000050	E Type Ring 5	2	
12	89-1158-060102	Cross recess Headed Screw (PWSW) M6*10	4	
11	89-1137-060122	Hexagonal Bolt (PW) M6*12	1	
10	83-1614-932-00	Tension Wire	1	
9	83-1415-453-10	Lever 27-05-0822S	1	
8	83-1310-902-00	OREC Mark	1	
7	83-1110-965-00	Handle Up/Down, Right/Left Wire	1	
6	80-1614-904-00	Label, Bonnet	1	
5	80-1614-280-00	Switch Assy	1	
4	80-1417-255-00	Lever Grip (Red) 10	1	
3	80-1417-253-00	Stopper	1	
2	80-1415-223-00	Handle Bonnet	1	
1	80-1210-222-00	Handle Setting Collar	1	
Ref.	Parts Number	Parts Name	Quantity	Remarks

18	0226-70300	Throttle Wire Assy	1	
17	0211-70600	Label, Driving	1	
16	0211-70500	Brake Wire	1	
15	0211-20600	Brake Spring	1	
14	0211-20300	Blade Clutch Lever	1	
13	0211-20200	Driving Clutch Lever	1	
12	0211-20100	Handle CMP	1	
11	89-2521-000050	E Type Ring 5	1	
10	89-2131-060002	Snap Pin 6	2	
9	89-2120-200152	Split Pin 2*15	1	
8	89-1551-060002	Hexagonal U Nut M6	2	
7	89-1113-060552	Hexagonal Bolt (8T) M6*55	2	
6	83-1761-457-00	Side Clutch Lever	2	
5	83-1614-962-00	Side Clutch Wire	2	
4	83-1614-932-00	Tension Wire	1	
3	83-1560-414-00	Handle Grip 27	2	
2	80-1417-971-00	Blade Clutch Return Spring	1	
1	80-1417-918-00	Label, Cutting	1	
Ref.	Parts Number	Parts Name	Quantity	Remarks

9		Handle	1	
8	89-1750-120002	Spring Washer 12	2	
7	89-1137-060152	Hexagonal Bolt (PW) M6*15	3	
6	83-1712-923-00	Label, Oil Quantity 1.6 L	1	
5	83-1210-133-00	Setting Bolt M12*160	1	
4	80-1614-746-10	Side Cover	1	
3	80-1310-228-00	Handle Fix Nut	2	
2	80-1020-932-00	Label, Noise 100db	1	
1	80-1010-933-00	Label, CE	1	
Ref.	Parts Number	Parts Name	Quantity	Remarks

22	0282-72300	Clinometer Label	1	
21	0282-20200	Pointer for Clinometer	1	
20	0282-20100	Clinometer Panel	1	
19	0282-11100	Under Bonnet CMP	1	
18	0251-11000	Stopper for Handle Up/Down	1	
17	0223-72910	Attention Mark for Slope	1	
16	0215-83200	Label, Protection Equipment	1	
15	0207-70800	Grommet 45-3.5	1	
14	89-1750-100002	Spring Washer 10	2	
13	89-1750-080002	Spring Washer 8	2	
12	89-1711-080002	Flat Washer 8	1	
11	89-1553-080002	Bag Hexagonal U Nut M8	1	
10	89-1253-080162	Flange Mini Hexagonal Bolt (8T) M8*16	2	
9	89-1233-080162	Mini Hexagonal Bolt (PWSW) M8*16	4	
8	89-1211-100202	Mini Hexagonal Bolt M10*20	2	
7	83-1614-920-10	Label, Belt Size	1	
6	80-1614-905-00	Label, Belt Case	1	
5	80-1614-504-20	Belt Cover CMP	1	
4	80-1488-928-10	Label, Caution for Belt Involving	1	
3	80-1310-215-00	Stopper Cap	1	
2	80-1210-217-00	Stopper Spring	1	
1	80-1210-216-00	Stopper Pin	1	
Ref.	Parts Number	Parts Name	Quantity	Remarks

5/22

Frame 3/6

23	89-6123-006201	V Belt SBR-62	1	
22	89-6122-004601	V Belt SAR-46	1	
21		Rotary	1	
20	0211-54200	Driving Tension Arm	1	
19	89-3115-062034	Bearing 6203 2RS	2	
18	89-2521-000150	E Type Ring 15	2	
17	89-2512-000400	Snap Ring (R40)	2	
16	89-2511-000170	Snap Ring (S17)	2	
15	89-2151-050350	Key 5*35 (half round)	1	
14	89-1750-100002	Spring Washer 10	4	
13	89-1750-080002	Spring Washer 8	1	
12	89-1233-080162	Mini Hexagonal Bolt (PWSW) M8*16	1	
11	89-1213-100202	Mini Hexagonal Bolt (8T) M10*20	4	
10	89-1213-080202	Mini Hexagonal Bolt (8T) M8*20	1	
9	89-1132-080162	Hexagonal Bolt (SW) M8*16	2	
8	83-1565-315-00	Washer 8*36*4.5	1	
7	83-1032-765-00	Tension Pulley	2	
6	80-1614-561-20	Belt Holder	1	
5	80-1614-552-00	Tension Spring	2	
4	80-1614-546-10	Knife Tension Arm	1	
3	0223-40110	Engine Pulley	1	
2	80-1614-374-30	Brake Rod	1	
1	80-1560-551-00	Return Spring	2	
Ref.	Parts Number	Parts Name	Quantity	Remarks

6/22

Frame 4/6

17		Engine	1	
16	0282-60300	Crawler Guard CMP	1	
15	0223-60700	Muffler Guard CMP	1	
14	0211-30300	Engine Fitting Plate with Bolt (M)	2	
13	89-2150-050200	Key 5*20 (round)	1	
12	89-1750-050003	Spring Washer 5	2	
11	89-1711-100002	Flat Washer 10	4	
10	89-1711-080002	Flat Washer 8	4	
9	89-1543-100002	Mini Hexagonal Nut (SW) M10	5	
8	89-1543-080002	Mini Hexagonal Nut (SW) M8	4	
7	89-1251-050123	Flange Hexagonal Bolt M5*12	2	
6	89-1233-080162	Mini Hexagonal Bolt (PWSW) M8*16	4	
5	89-1213-080402	Mini Hexagonal Bolt (8T) M8*40	4	
4	83-1210-388-00	Whirl Stop Plate B8	4	
3	80-1614-521-00	Transmission Pulley	1	
2	80-1614-501-20	Belt Cover Inside CMP	1	
1	80-1321-561-10	Belt Holder	1	
Ref.	Parts Number	Parts Name	Quantity	Remarks

15	0256-20500	Rear Bracket	1	
14	0253-79100	Lever Grip 12.7	1	
13	0253-22500	Change Rod Setting	1	
12	0253-22400	Change Guide CMP	1	
11	0253-16100	Change Lever CMP	1	
10	0251-70400	Label, Change	1	
9	0251-11600	Change Lever Arm CMP	1	
8	0251-11300	Change Plate	1	
7	89-2131-120002	Snap Pin 12	1	
6	89-1750-100002	Spring Washer 10	1	
5	89-1611-100042	Mini Hexagonal Nut M10	1	
4	89-1233-080162	Mini Hexagonal Bolt (PWSW) M8*16	2	
3	89-1232-080162	Mini Hexagonal Bolt (SW) M8*16	6	
2	89-1213-101302	Mini Hexagonal Bolt (8T) M10*130	1	
1	83-1565-329-00	Washer 13*22*2.3	1	
Ref.	Parts Number	Parts Name	Quantity	Remarks

8/22

Frame 6/6

17	0282-01000	Transmission Assy	1	
16	89-2511-000140	Snap Ring (S14)	1	
15	89-2132-060002	Snap Pin 6 (with stopper)	2	
14	89-1711-060002	Flat Washer 6	2	
13	89-1543-080002	Mini Hexagonal Nut (SW) M8	3	
12	89-1253-081453	Flange Mini Hexagonal Bolt (8T) M8*145	3	
11	89-1132-060122	Hexagonal Bolt (SW) M6*12	6	
10	85-1445-317-00	Brake Packing (Small)	1	
9	85-1711-317-00	Shoe Return Spring	2	
8	85-1711-316-00	Brake Shoe Set	1	
7	85-1711-315-00	Brake Drum	1	
6	0211-31800	Brake Packing (Large)	1	
5	80-1614-315-00	Return Spring	1	
4	80-1614-314-00	Brake Cover	1	
3	80-1614-312-00	Brake Cover CMP	1	
2	80-1614-302-20	Main Frame (R) CMP	1	
1	80-1614-301-20	Main Frame (L) CMP	1	
Ref.	Parts Number	Parts Name	Quantity	Remarks



9/22

## Transmission 1/5

17	0256-71200	Label, Transmission	1	
16	0282-01100	Transmission Guard	1	
15	0251-04300	Change Arm CMP	1	
14	89-1543-080002	Mini Hexagonal Nut (SW) M8	2	
13	89-1254-101153	Flange Mini Hexagonal Bolt M10*115 P=	1	
12	89-1253-081403	Flange Mini Hexagonal Bolt (8T) M8*140	5	
11	89-1253-081203	Flange Mini Hexagonal Bolt (8T) M8*120	2	
10	89-1253-081153	Flange Mini Hexagonal Bolt (8T) M8*115	2	
9	89-1251-100122	Flange Mini Hexagonal Bolt M10*12	1	
8	83-1565-111-00	Hexagonal Bolt (with Big Washer) M6*16	1	
7	83-1493-255-00	Flange Lock Nut M10 (slender)	1	
6	83-1484-255-00	Lock Nut ZUF M8	9	
5	83-1020-349-00	Copper Packing 10.5*18*1.6	1	
4	80-1614-198-10	Side Clutch Wire Stopper (R)	1	
3	80-1565-197-00	Side Clutch Wire Stopper (L)	1	
2	80-1565-159-00	Shaft BB Reinforce Pipe	2	
1	80-1565-153-00	Side Clutch Arm	2	
Ref.	Parts Number	Parts Name	Quantity	Remarks

10/22

## Transmission 2/5

16	0282-00310	Shaft BB Case (R)	1	
15	89-5121-305007	Oil Seal UE 30.50.7	1	
14	89-5121-153007	Oil Seal UE 15.30.7	1	
13	89-5121-122207	Oil Seal UE 12.22.7	1	
12	89-3115-060044	Bearing 6004 2RS	2	
11	89-2512-000550	Snap Ring (R55)	1	
10	89-2111-050020	Spring Pin 5*20	1	
9	89-2111-030020	Spring Pin 3*20	1	
8	83-1517-685-00	Oil Cap 20	1	
7	83-1415-672-00	Blind Cover 30	1	
6	83-1415-671-00	Blind Cover 22	1	
5	83-1415-662-00	Oil Seal AP 35.55.8	1	
4	83-1415-127-00	Seal Bolt (SW) M8*20	4	
3	80-1614-103-00	Transmission Case (R)	1	
2	80-1425-112-00	Driving Clutch Fork Shaft	1	
1	80-1415-114-00	Side Clutch Fork	1	
Ref.	Parts Number	Parts Name	Quantity	Remarks

11/22

**Transmission 3/5**

17	0282-00600	3rd Shaft Gear 28T	1	
16	0282-00500	2nd Shaft Gear 18T	1	
15	0282-00110	Axle CMP	1	
14	0251-01610	3rd Shaft Gear 22T	1	
13	0223-02500	Collar 6L	1	
12	89-3111-062024	Bearing 6202	4	
11	89-2511-000200	Snap Ring (S20)	2	
10	89-2511-000150	Snap Ring (S15)	2	
9	83-1830-368-00	Thrust Washer 18*26*1.0	1	
8	83-1633-362-10	Thrust Washer 15*30*1.2	2	
7	80-1920-147-00	Axle Collar	1	
6	80-1920-130-00	Collar A	1	
5	80-1575-162-00	Side Clutch Spring	2	
4	80-1575-142-00	Side Clutch Gear 38T	1	
3	80-1575-129-10	2nd Shaft Gear 24T	1	
2	80-1032-141-00	Side Clutch Gear 14T	2	
1	80-1032-140-00	Side Clutch Shaft	1	
Ref.	Parts Number	Parts Name	Quantity	Remarks

12/22

## Transmission 4/5

21	0282-00400	Spring	1	
20	0251-02100	3rd Shaft Gear 14T CMP	1	
19	0251-01300	2nd Shaft Gear 32T	1	
18	0251-01100	Trasmission 1st Shaft	1	
17	0251-00300	Shift Folk	1	
16	0223-02400	Collar 11L	1	
15	0223-01400	3rd Shaft	1	
14	0223-01200	Back Gear CMP	1	
13	0223-00800	2nd Shaft	1	
12	0223-00700	1st Shaft Shift Gear 14T	1	
11	0223-00600	1st Shaft Gear 20T	1	
10	0223-00400	Shift Fork Shaft	1	
9	89-5221-009000	O Ring P9	1	
8	89-3510-012200	DU Bush 12.20	1	
7	89-3410-075000	Steel Ball 7.5	1	
6	89-3111-062024	Bearing 6202	4	
5	89-2511-000160	Snap Ring (S16)	1	
4	89-2120-200202	Split Pin 2*20	1	
3	83-1830-368-00	Thrust Washer 18*26*1.0	3	
2	83-1310-371-00	Thrust Washer 20*30*1.0	2	
1	80-1575-109-00	Swing Arm	1	
Ref.	Parts Number	Parts Name	Quantity	Remarks

13/22

**Transmission 5/5**

17	0282-00210	Shaft BB Case (L)	1	
16	0282-00110	Axle CMP	1	
15	0251-00100	Transmission Case (L)	1	
14	89-5121-305007	Oil Seal UE 30.50.7	1	
13	89-5121-153007	Oil Seal UE 15.30.7	1	
12	89-5121-122207	Oil Seal UE 12.22.7	1	
11	89-3115-060044	Bearing 6004 2RS	2	
10	89-2512-000550	Snap Ring (R55)	1	
9	89-2111-050020	Spring Pin 5*20	1	
8	89-2111-030020	Spring Pin 3*20	1	
7	83-1517-685-00	Oil Cap 20	1	
6	83-1415-672-00	Blind Cover 30	1	
5	83-1415-671-00	Blind Cover 22	1	
4	83-1415-662-00	Oil Seal AP 35.55.8	1	
3	83-1415-127-00	Seal Bolt (SW) M8*20	4	
2	80-1425-112-00	Driving Clutch Fork Shaft	1	
1	80-1415-114-00	Side Clutch Fork	1	
Ref.	Parts Number	Parts Name	Quantity	Remarks

14/22

Rotary cover 1/5

17	0223-76100	Label, Caution (Large)	1	
16	89-2111-050022	Spring Pin 5*22	1	
15	89-1714-120002	Flat Washer 12	1	
14	89-1711-100002	Flat Washer 10	2	
13	89-1611-080042	Mini Hexagonal Nut M8	2	
12	83-1575-189-00	Flange Cap Nut M6	5	
11	89-1211-080252	Mini Hexagonal Bolt M8*25	2	
10	89-1137-060152	Hexagonal Bolt (PW) M6*15	5	
9	84-1723-739-00	Cutting Height Adjusting Handle	1	
8	83-1713-166-00	Round Headed Pin 10*80	1	
7	83-1210-425-00	Lever Grip 10	1	
6	80-1614-906-00	Label, Safety Cover	1	
5	80-1614-782-10	Rear Flapper	1	
4	80-1614-742-10	Height Adjusting Bolt Receiver	1	
3	80-1614-724-10	Height Adjusting Bolt CMP	1	
2	80-1613-733-10	Safety Cover	1	
1	80-1610-787-00	Flapper Holder	1	
Ref.	Parts Number	Parts Name	Quantity	Remarks

15/22

## Rotary cover 2/5

23	0256-60700	Dust Cover	2	
22	0211-60500	Front Bumper	1	
21	0211-60400	Front Arm CMP	1	
20	89-3370-051105	Thrust Bearing 51105	2	
19	89-2181-100502	Flat Head Pin 10*50	1	
18	89-2131-100002	Snap Pin 10	1	
17	89-1750-140002	Spring Washer 14	2	
16	89-1750-120002	Spring Washer 12	2	
15	89-1714-120002	Flat Washer 12	2	
14	89-1543-100002	Mini Hexagonal Nut (SW) M10	2	
13	89-1543-080002	Mini Hexagonal Nut (SW) M8	4	
12	89-1253-080202	Flange Mini Hexagonal Bolt (8T) M8*20	4	
11	89-1211-100952	Mini Hexagonal Bolt M10*95	2	
10	84-1783-791-00	Grease Nipple Bolt M14	2	
9	83-1783-376-00	Thrust Washer 25*34*1.0	2	
8	83-1613-907-00	Label, Caution for Hand and Leg	2	
7	83-1610-192-00	Hexagonal Nut (slender) M12 P=1.25	2	
6	83-1415-975-00	Grease Nipple M6	2	
5	83-1050-901-00	Label, OREC	1	
4	80-1614-727-00	Front Wheel	2	
3	80-1614-726-00	Front Wheel Collar	2	
2	80-1614-725-20	Front Wheel Fork	2	
1	80-1614-714-00	Front Arm Setting Shaft	2	
Ref.	Parts Number	Parts Name	Quantity	Remarks

16/22

Rotary cover 3/5

19	89-6123-003901	V Belt LBR-39	1	
18	0211-63200	Front Tension Arm CMP	1	
17	89-3115-062034	Bearing 6203 2RS	1	
16	89-2521-000150	E Type Ring 15	1	
15	89-2521-000120	E Type Ring 12	2	
14	89-2512-000400	Snap Ring (R40)	1	
13	89-2511-000170	Snap Ring (S17)	1	
12	89-1611-080042	Mini Hexagonal Nut M8	2	
11	83-1575-189-00	Flange Cap Nut M6	5	
10	89-1233-080162	Mini Hexagonal Bolt (PWSW) M8*16	2	
9	89-1137-060152	Hexagonal Bolt (PW) M6*15	5	
8	83-1032-765-00	Tension Pulley	1	
7	80-1675-357-00	Thrust Washer 16*23*2.3	2	
6	80-1614-781-10	Front Flapper	1	
5	80-1614-764-00	Front Cover CMP	1	
4	80-1614-694-10	Knife Belt Cover	1	
3	80-1614-315-00	Return Spring	1	
2	80-1610-787-00	Flapper Holder	1	
1	80-1182-827-00	Tension Pulling Bolt	1	
Ref.	Parts Number	Parts Name	Quantity	Remarks



17/22

Rotary cover 4/5

16	0231-37100	Knife Brake	1	
15	0218-71100	Hexagonal Bolt (8T) M8*25	2	
14	89-3115-060044	Bearing 6004 2RS	2	
13	89-2151-070300	Key 7*30 (half round)	1	
12	89-2151-050350	Key 5*35 (half round)	2	
11	89-1750-100002	Spring Washer 10	1	
10	89-1750-080002	Spring Washer 8	6	
9	89-1213-080182	Mini Hexagonal Bolt (8T) M8*18	4	
8	83-1610-322-00	Washer 10*36*6	1	
7	83-1610-125-00	Hexagonal Bolt (8T) M10*35	1	
6	83-1565-315-00	Washer 8*36*4.5	2	
5	80-1614-691-30	Supporter Pipe CMP	1	
4	80-1614-636-00	Supporter Pulley	2	
3	80-1614-634-20	Knife Pulley 155	1	
2	80-1614-621-30	Supporter Shaft	1	
1	80-1614-373-20	Knife Brake Spring	1	
Ref.	Parts Number	Parts Name	Quantity	Remarks

18/22

## Rotary cover 5/5

18	89-3115-062064	Bearing 6206 2RS	2	
17	89-2512-000620	Snap Ring (R62)	2	
16	89-1812-100002	Toothed washer (inside) 10	1	
15	89-1750-080002	Spring Washer 8	10	
14	89-1671-080042	Mini Cap Nut M8	6	
13	89-1253-080162	Flange Mini Hexagonal Bolt (8T) M8*16	4	
12	83-1613-907-00	Label, Caution for Hand and Leg	2	
11	83-1610-835-00	Knife Setting Bolt Set	19	
10	83-1610-321-00	Washer 10*36*4.5	1	
9	83-1610-124-00	Hexagonal Bolt (8T) M10*25 (left screw)	1	
8	80-1614-810-00	BB Case Cover	1	
7	80-1614-804-20	Knife Shaft BB Case CMP	1	
6	80-1614-800-00	Knife Drum ASSY	1	
5	80-1614-705-00	Flat Head Bolt M8*18	6	
4	80-1614-703-30	Rotary Cover CMP	1	
3	80-1612-813-00	Dust Cover	1	
2	80-1610-821-00	Hammer Knife Blade	38	
1	80-1610-804-00	BB Case	1	
Ref.	Parts Number	Parts Name	Quantity	Remarks

19/22

Crawler 1/4

7	0282-70300	Dust Seal	1	
6	0282-70200	Rubber Crawler 160W*60P*24L	1	
5	0282-30600	Stone Guard CMP	1	
4	0282-30100	Driving Sprocket CMP	1	
3	89-2181-100502	Flat Head Pin 10*50	1	
2	89-2132-100002	Snap Pin 10 (with stopper)	1	
1	89-1132-080122	Hexagonal Bolt (SW) M8*12	2	
Ref.	Parts Number	Parts Name	Quantity	Remarks

20/22

Crawler 2/4

14	0282-70400	Blind Cover 35	1	
13	0282-30500	Turn Wheel CMP	1	
12	0282-30400	Induction Ring Attachment CMP	1	
11	0282-30200	Crawler Arm (L) CMP	1	
10	89-5222-065000	O Ring G65	1	
9	89-5121-254210	Oil Seal UE 25.42.10	1	
8	89-3115-060044	Bearing 6004 2RS	1	
7	89-3115-060034	Bearing 6003 2RS	1	
6	89-2511-000630	Snap Ring (S63)	1	
5	89-1713-080002	Flat Washer 8 (large)	1	
4	89-1511-140042	Hexagonal Nut M14	1	
3	89-1232-080182	Mini Hexagonal Bolt (SW) M8*18	1	
2	89-1111-141407	Hexagonal Bolt M14*140	1	
1	83-1415-975-00	Grease Nipple M6	1	
Ref.	Parts Number	Parts Name	Quantity	Remarks

21/22

Crawler 3/4

11	0282-71100	Tension Spring for Crawler	1	
10	0282-70200	Rubber Crawler 160W*60P*24L	1	
9	0282-31200	Connecting Bar (Front)	1	
8	0282-31100	Connecting Bar (Rear)	1	
7	0282-30800	Spacer for Connecting Bar	2	
6	0282-30600	Stone Guard CMP	1	
5	89-1750-100002	Spring Washer 10	2	
4	89-1712-100002	Flat Washer 10*21*2.1	2	
3	89-1236-100252	Mini Hexagonal Bolt (PWSW) M10*25	2	
2	89-1213-100352	Mini Hexagonal Bolt (8T) M10*35	2	
1	89-1132-080122	Hexagonal Bolt (SW) M8*12	2	
Ref.	Parts Number	Parts Name	Quantity	Remarks

18	0282-70400	Blind Cover 35	1	
17	0282-70300	Dust Seal	1	
16	0282-30500	Turn Wheel CMP	1	
15	0282-30400	Induction Ring Attachment CMP	1	
14	0282-30300	Crawler Arm (R) CMP	1	
13	0282-30100	Driving Sprocket CMP	1	
12	89-5222-065000	O Ring G65	1	
11	89-5121-254210	Oil Seal UE 25.42.10	1	
10	89-3115-060044	Bearing 6004 2RS	1	
9	89-3115-060034	Bearing 6003 2RS	1	
8	89-2511-000630	Snap Ring (S63)	1	
7	89-2181-100502	Flat Head Pin 10*50	1	
6	89-2132-100002	Snap Pin 10 (with stopper)	1	
5	89-1713-080002	Flat Washer 8 (large)	1	
4	89-1511-140042	Hexagonal Nut M14	1	
3	89-1232-080182	Mini Hexagonal Bolt (SW) M8*18	1	
2	89-1111-141407	Hexagonal Bolt M14*140	1	
1	83-1415-975-00	Grease Nipple M6	1	
Ref.	Parts Number	Parts Name	Quantity	Remarks